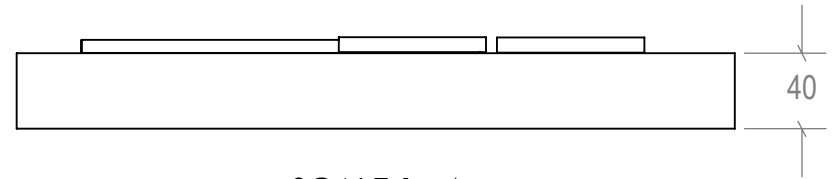
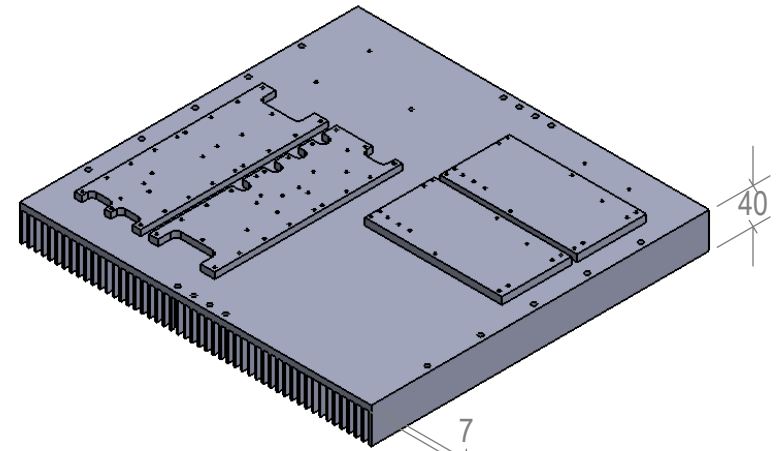


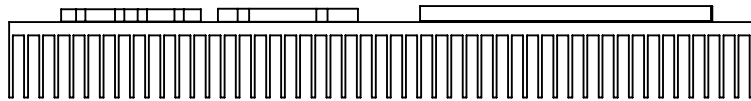
SCALE 1 : 4



SCALE 1 : 4

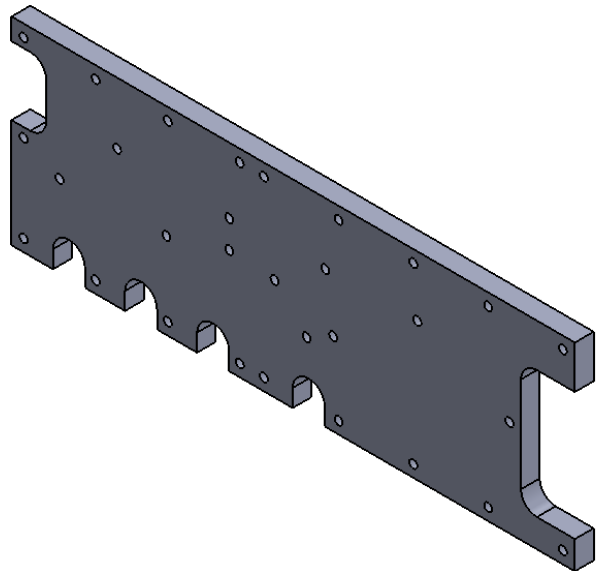
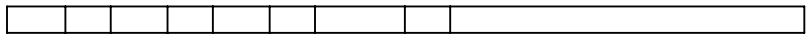
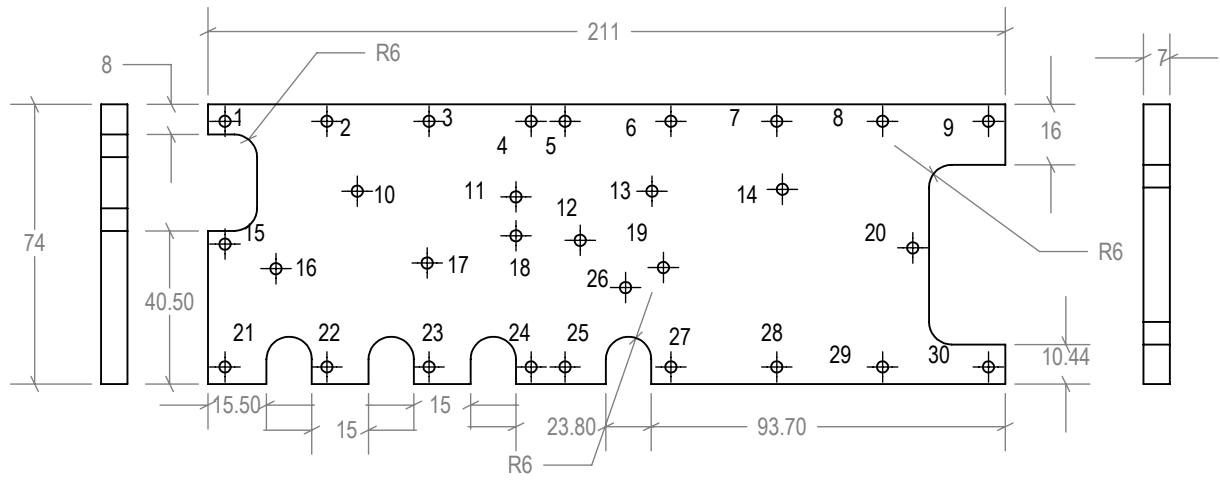


SCALE 1 : 6



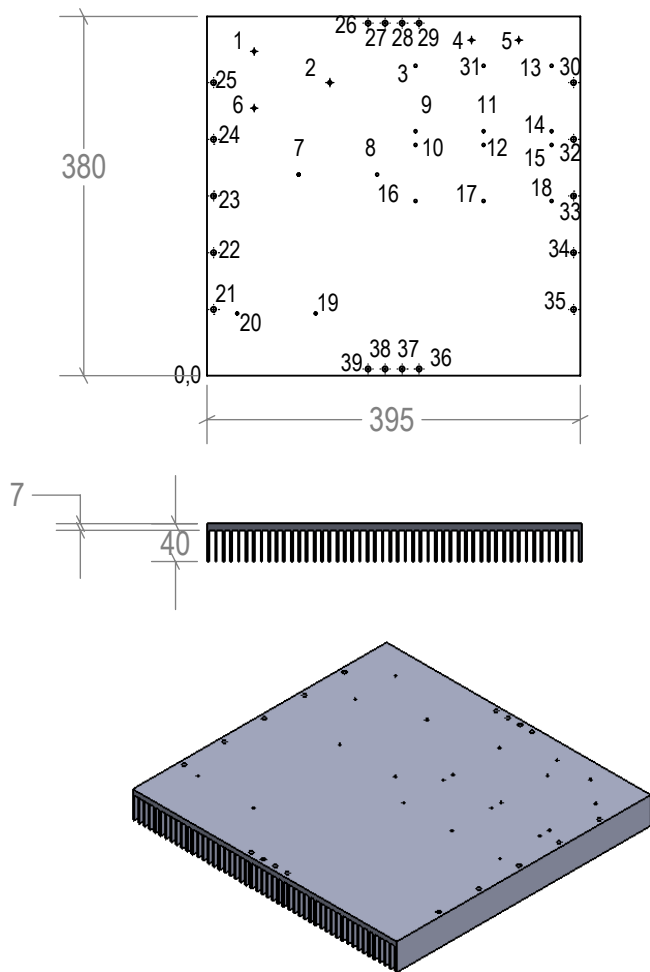
SCALE 1 : 4

FM Exciter
Heat Sink+Pallet



NO.	X	Y	Dimision
1	4.5	69.5	M3
2	31.5	69.5	M3
3	58.5	69.5	M3
4	85.5	69.5	M3
5	94.5	69.5	M3
6	122.5	69.5	M3
7	150.5	69.5	M3
8	178.5	69.5	M3
9	206.5	69.5	M3
10	39.5	51	M3
11	81.5	49.5	M3
12	98.5	38	M3
13	117.5	51	M3
14	152	51.5	M3
15	4.5	37	M3
16	18	30.5	M3
17	58	32	M3
18	81.5	39.2	M3
19	120.5	30.8	M3
20	186.5	36	M3
21	4.5	4.5	M3
22	31.5	4.5	M3
23	58.5	4.5	M3
24	85.5	4.5	M3
25	94.5	4.5	M3
26	110.5	25.5	M3
27	122.5	4.5	M3
28	150.5	4.5	M3
29	178.5	4.5	M3
30	206.5	4.5	M3

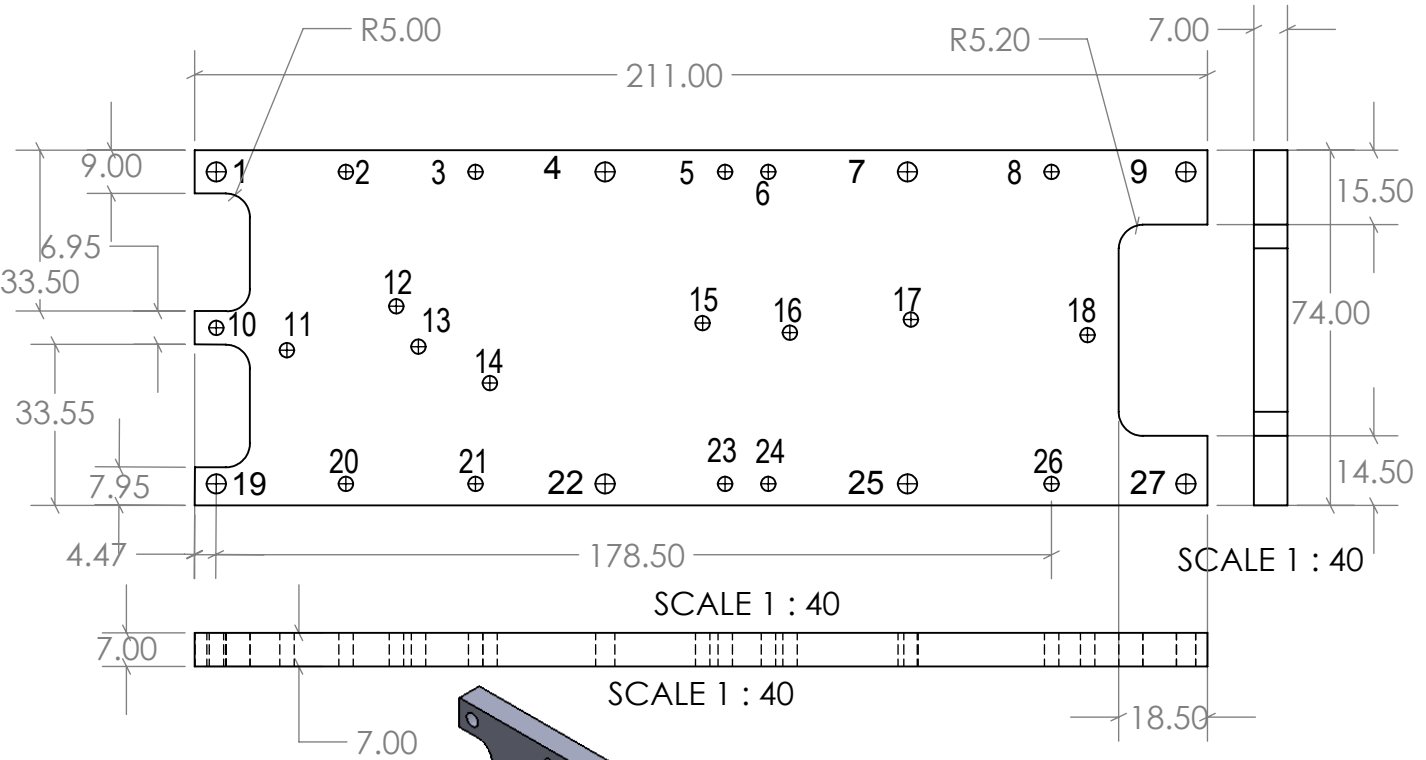
FM Exciter
FM Modulator
Aluminum 7mm.



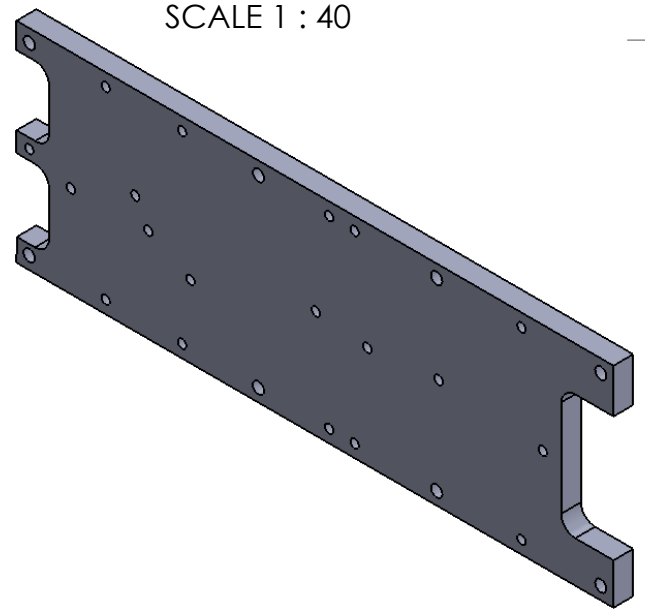
NO.	X	Y	Dimision
1	50	343	M3
2	130	310	M3
3	220.76	327.88	M3
4	280	355	M3
5	330	355	M3
6	50	283	M3
7	97	212.76	M3
8	180.08	212.76	M3
9	220.76	258.58	M3
10	220.76	244.10	M3
11	292.76	258.58	M3
12	292.76	244.11	M3
13	364.76	327.88	M3
14	364.76	258.58	M3
15	364.76	244.11	M3
16	220.76	185.70	M3
17	292.76	184.70	M3
18	364.76	184.70	M3
19	32	65.76	M3

NO.	X	Y	Dimision
20	115.08	65.76	M5.5
21	7	70	M5.5
22	7	130	M5.5
23	7	190	M5.5
24	7	250	M5.5
25	7	310	M5.5
26	170.5	373	M5.5
27	188.5	373	M5.5
28	206.5	373	M5.5
29	224.5	373	M5.5
30	388	310	M5.5
31	292.76	327.88	M5.5
32	388	250	M5.5
33	388	190	M5.5
34	388	130	M5.5
35	388	70	M5.5
36	224.5	7	M5.5
37	206.5	7	M5.5
38	188.5	7	M5.5
39	170.5	7	M5.5

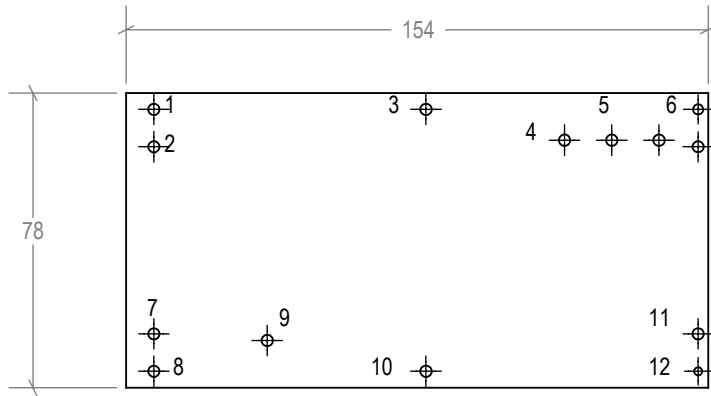
FM Exciter
HeatSink
Aluminum 7mm



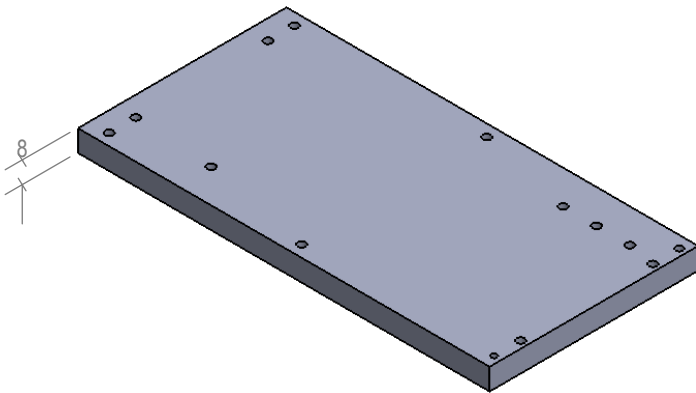
NO.	X	Y	Dimision
1	4.5	69.5	M3
2	31.5	69.5	M3
3	58.5	69.5	M3
4	85.5	69.5	M3
5	110.5	69.5	M3
6	119.5	69.5	M3
7	148.5	69.5	M3
8	178.5	69.5	M3
9	206.5	69.5	M3
10	4.5	37	M3
11	19.2	32.35	M3
12	42	41.5	M3
13	46.6	33.1	M3
14	61.35	25.5	M3
15	105.8	38	M3
16	124	36	M3
17	149.2	38.75	M3
18	186	35.5	M3
19	4.5	4.5	M3
20	31.5	4.5	M3
21	58.5	4.5	M3
22	85.5	4.5	M3
23	110.5	4.5	M3
24	119.5	4.5	M3
25	148.5	4.5	M3
26	178.5	4.5	M3
27	206.5	4.5	M3



FM Excitor
Power Level Control Pallet
Aluminum 7mm.



NO.	X	Y	Dimision
1	7.33	73.65	M3
2	7.33	63.75	M3
3	79.33	73.65	M3
4	116	65.50	M3
5	128.5	65.50	M3
6	141	65.50	M3
7	7.33	14.25	M3
8	7.33	4.35	M3
9	12.5	37.33	M3
10	79.33	4.35	M3
11	151.33	14.25	M3
12	151.33	4.35	M3



FM Exciter
Power Supply Pallet
Aluminum 7mm.