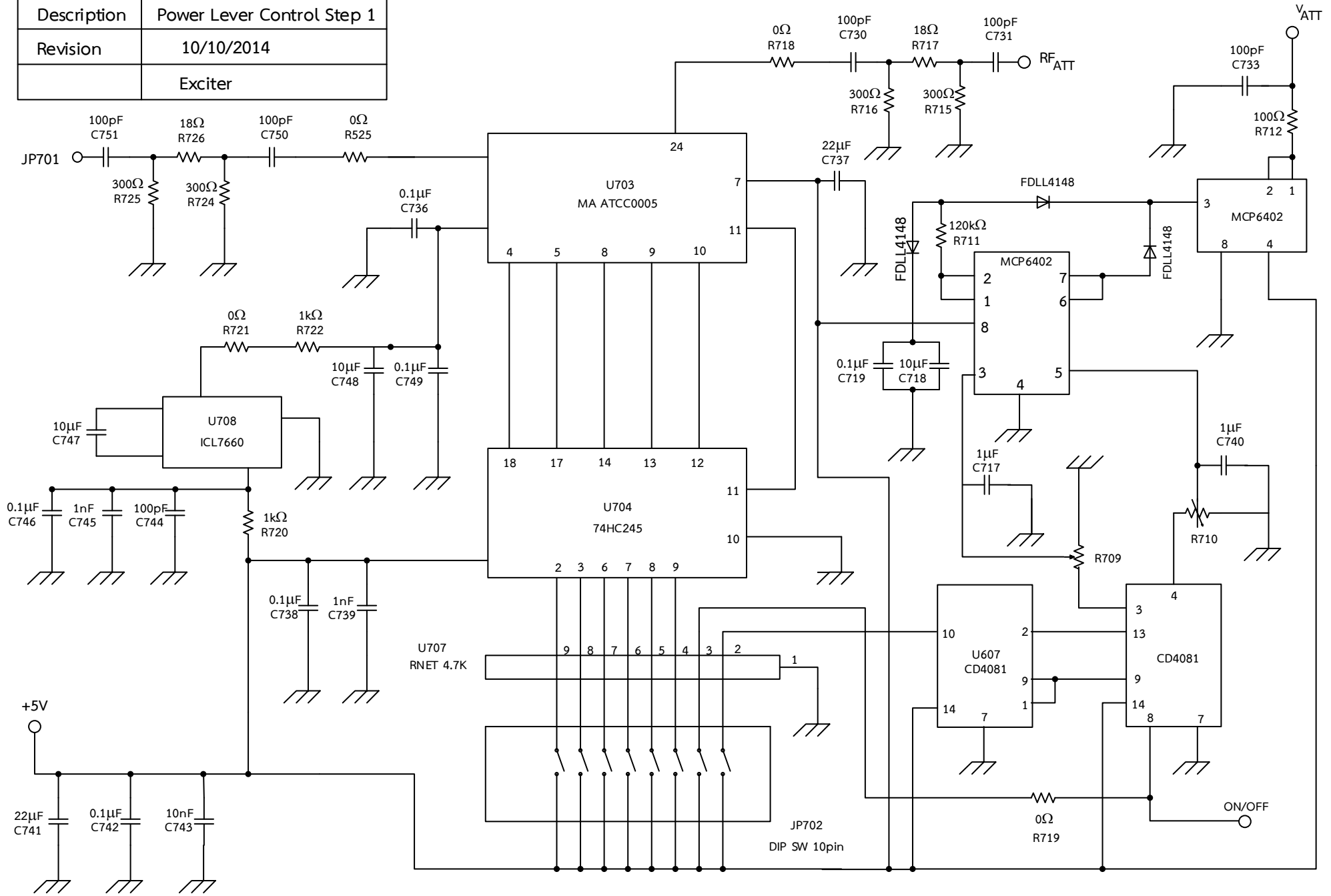
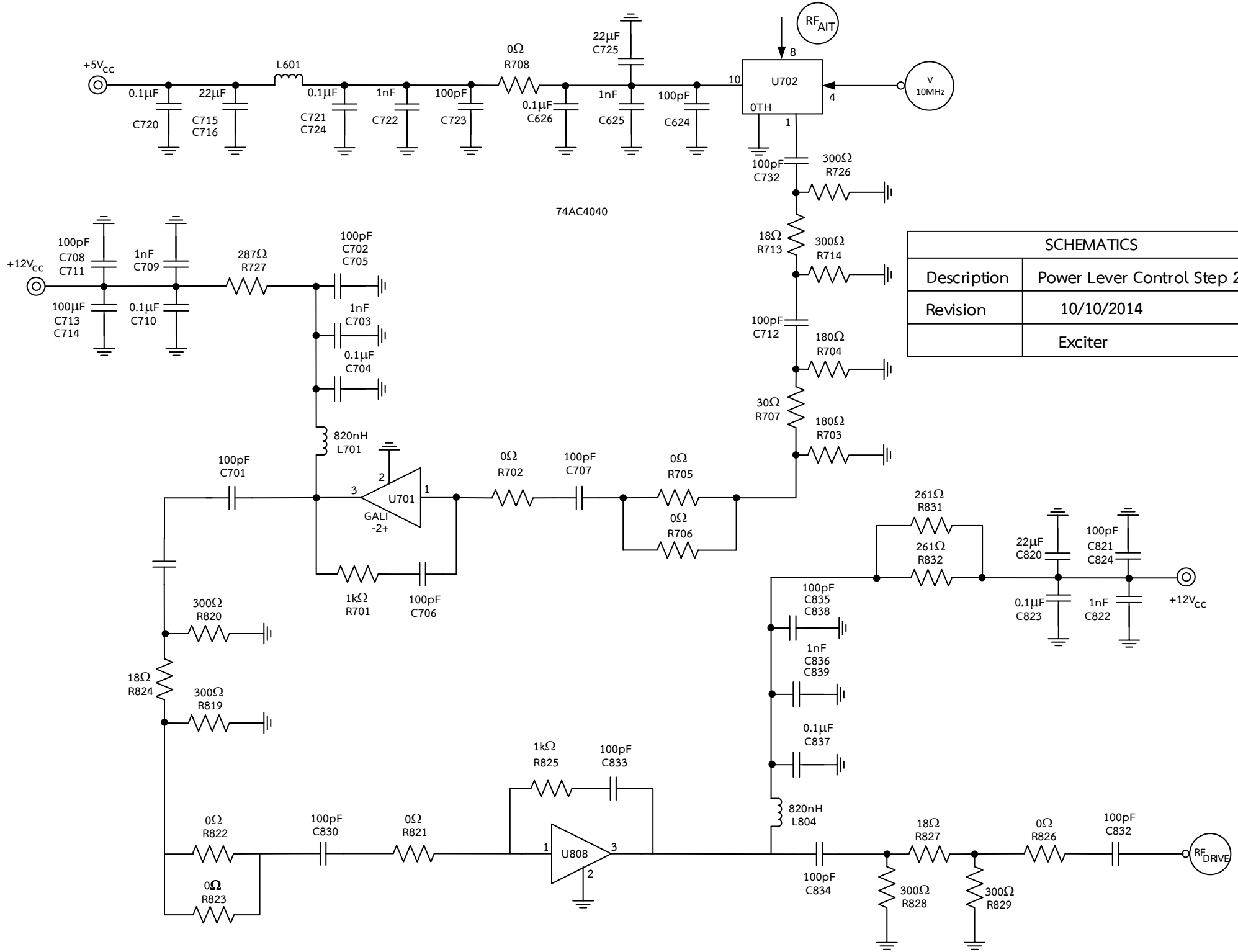
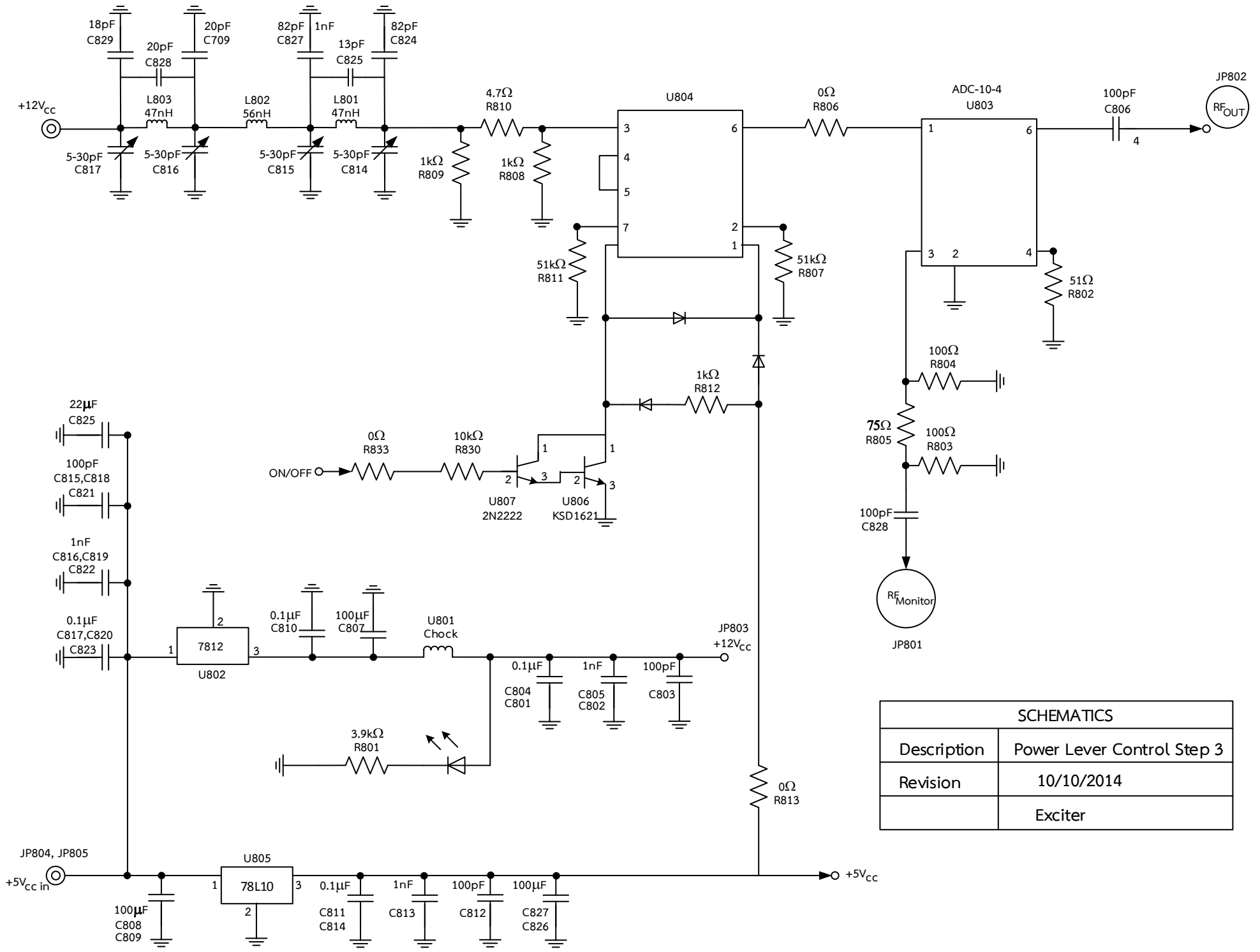


SCHEMATICS	
Description	Power Lever Control Step 1
Revision	10/10/2014
Exciter	





SCHEMATICS	
Description	Power Lever Control Step 2
Revision	10/10/2014
	Exciter



SCHEMATICS	
Description	Power Lever Control Step 3
Revision	10/10/2014
	Exciter